

# RC3102HD



## H.264 Full HD Indoor Fixed IP Dome Camera

- Full HD1080p @ 30fp
- 5311 Model fit with Remote Zoom/Focus Control (One Click AF)
- Video Compression: H.264, MJPEG
- True Day/Night and WDR
- Video Dual Stream, Two-way Audio with G.711
- MicroSD/SDHC Memory Card Slot
- **ONVIF** Support, PoE (IEEE 802.3af)
- Embedded VCA Technology Video Analytics



### Specifications

CAMERA	
<b>Model</b>	<b>RC3102HD-5211:</b> Manual Vario focal lens <b>RC3102HD-5311:</b> Motorized Focus & Zoom lens
<b>Image Sensor</b>	1/2.7" 1080p CMOS
<b>Effective Pixels</b>	1920 x 1080
<b>Scanning System</b>	Progressive scanning
<b>AGC Control</b>	Auto, adjustable amplification level
<b>Minimum Illumination</b>	Color: 0.5 lux, F1.2 - B/W: 0.001Lux (DSS ON)
<b>Lens</b>	<b>5211</b> Manual 3.0 – 9.0mm Vari-Focal, F1.2 - 360, DC Auto Iris
	<b>5311</b> 3.0 – 9.0mm Vari-Focal, F1.2, DC Auto Iris Motorized Focus & Zoom Control – One Click Focus Function
<b>Lens Angle of View</b>	Wide approx: 93.0°(H) x 68.4°(V) Tele approx: 31.7°(H) x 23.8°(V)
<b>Shutter Time</b>	1/10.000s to 1/2s
<b>Shutter Exposure Modes</b>	Automatic - with configurable min/max shutter speed (exposure time range) Manual - with configurable fixed shutter speed Flicker-Control - 50/60Hz
<b>Day &amp; Night Switching</b>	Auto/Manual (both switching level adjustable 1 ~ 64)Removable IR Cut Filter
<b>Image Settings</b>	Configurable brightness, contrast, saturation, sharpness, vertical flip & horizontal mirror function, Corridor Mode (-90° / +90° image flip)
<b>2D-DNR</b>	Configurable digital noise reduction 1 ~ 16
<b>Wide Dynamic Range</b>	Digital WDR (configurable levels 1-16)
<b>Exposure Adjustment</b>	+1.0, +0.6, +0.3, 0, -0.3, -0.6, -1.0 EV
<b>White Balance</b>	ATW1 / ATW2 / Push / Manual
<b>DSS (Sens-up)</b>	Configurable digital slow shutter 2X ~ 16X
<b>Backlight Compensation</b>	BLC On/Off (possible to designate zone)
<b>Focus Assistant</b>	<b>5211</b> Video display to simplify the focus point adjustment
VIDEO	
<b>Video Compression</b>	H.264 Baseline, Main, High profile (MPEG-4 Part 10/ AVC), MJPEG (Motion JPEG)
<b>Video Streaming</b>	Dual Stream, Independent Configurable <b>H.264:</b> Controllable frame rate and image resolution, video stream bandwidth limitation (CVBR/CBR) <b>MJPEG:</b> Controllable frame rate and image resolution, JPEG quality

VIDEO		
<b>Resolutions</b>	<b>16:9 mode</b>	1920x1080, 1280x720, 1120x630, 960x540, 800x450, 640x360, 480x270, 320x180
	<b>4:3 mode</b>	SXGA(1280x960), XGA(1024x768), SVGA (800x600), PAL(720x576), NTSC(720x480) VGA(620x480), QVGA(320x240)
<b>Frame Rate</b>	H.264: Configurable up to max 30fps in all resolution* MJPEG: Configurable up to max 30fps in all resolution*	
<b>Motion Detection</b>	Max. 8 zones with independent configuration of detection sensitivity and target object size	
<b>Video Stabilization</b>	Supported for First/Second Stream and Snapshot	
<b>Defogging</b>	Selectable Defogging level (low, medium, high)	
<b>Text Overlay</b>	Free positioning of display for time/ data/ name (name up to 48 signs)	
<b>Privacy Mask Zones</b>	4 flexible configurable regions	
<b>Analogue Video</b>	NTSC/PAL Video Signal (1.0Vp-p, 75Ω)	
AUDIO		
<b>Audio input / output</b>	Line-In: 0.178Vp-p, 10KΩ Lineout: 2.26Vp-p, 10KΩ	
<b>Compression Format</b>	G.711-uLaw	
NETWORK		
<b>Ethernet Standard/IP</b>	10 / 100 Base-T / IPv4, IPv6	
<b>Protocol</b>	QoS Layer 3 DiffServ, TCP/IP, UDP/IP, HTTP, HTTPS, FTP, RTSP, RTCP, RTP/UDP, RTP/TCP, mDNS, UPnP™, SMTP,DHCP, DNS, DynDNS, NTP, SNMPv1/v2c/v3(MIB-II), IGMP,ICMP, SSLv2/v3, TLSv1, SRTP, RTMP	
<b>Users Connection</b>	Live viewing for up to 10 clients	
<b>Security</b>	HTTPS(SSL), IP Filtering, Multi-level access with password protection	
GENERAL		
<b>I/O Terminal</b>	1x Alarm In - max 50mA@5VDC, TTL 1x Alarm Out - max 50mA@24VDC, TTL	
<b>Edge Storage</b>	Via micro SD/SDHC card (up to 32GB) for continuous or event recording. Search interface for event files, playback and download (card not included).	
<b>Application Programming Interface</b>	Software Development Kit (SDK) available ONVIF compliant	
<b>Event Metadata Streaming RTSP/RTP</b>	Video Motion Detection(MD), Video Content Analytics(VCA)	
<b>ONVIF</b>	Version: 2.41 (Support Profile S and G)	

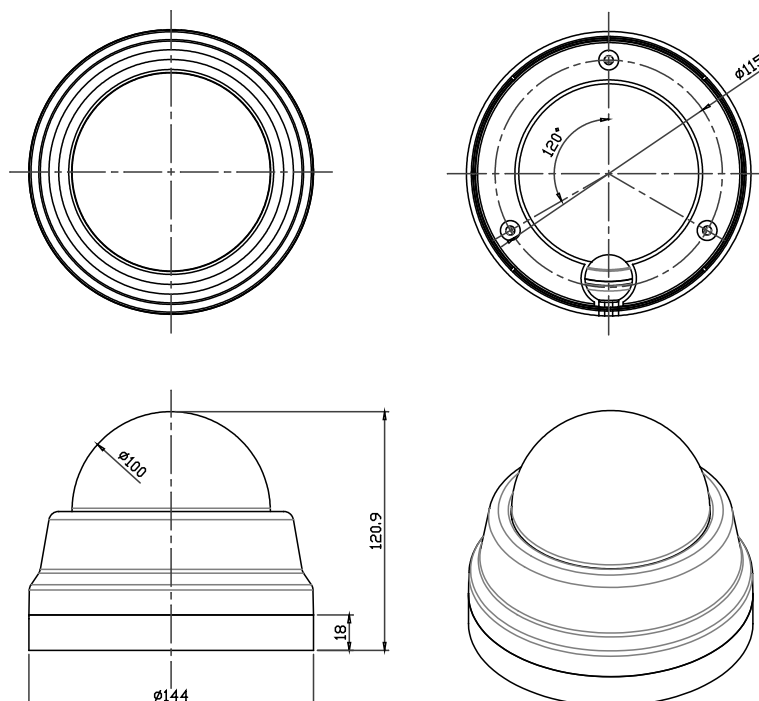
# RC3102HD

GENERAL	
<b>Event Sources</b>	Sensor(DI), Video Motion Detection, Tamper Detection, Video Content Analytics(VCA), Network Loss/Detect, Network Setting Change, Time (Recurrence/Schedule)
<b>Event Actions</b>	Notification service via TCP/IP, HTTP, multicast or email text messages with snapshot, DO-contact, file upload on external FTP server, local SD memory card recording
<b>Approvals</b>	FCC, CE, KC, RoHs
ELECTRICAL	
<b>Power Source</b>	12V DC / PoE (IEEE 802.3af)
<b>Power Consumption (Approx)</b>	<b>5211</b> 4.68W @ DC 12V
	<b>5311</b> 4.92W @ DC 12V
ENVIRONMENT	
<b>Operation Temperature</b>	DC12V/PoE: 0°C ~ 50°C (32°F ~ 122°F)
<b>Operating Humidity</b>	Up to 85% RH, Non-condensing
MECHANICAL	
<b>Material</b>	Plastic (ABS)
<b>Color</b>	White
<b>Dimension</b>	Housing: 144(Φ) x 121(H) mm, Dome: 100(Φ) mm
<b>Weight (Approx)</b>	520g (1.14 lbs)

\* If VCA is activate, frame rate is limit to max. 15fps@1080p. Limitations are based on V.1.9.0 firmware release and could be changed without notice

## Dimension

(Unit: mm)

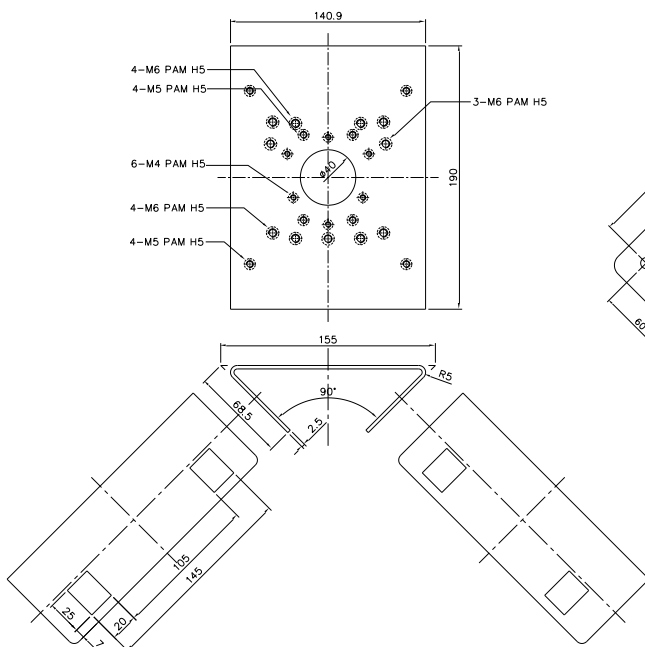
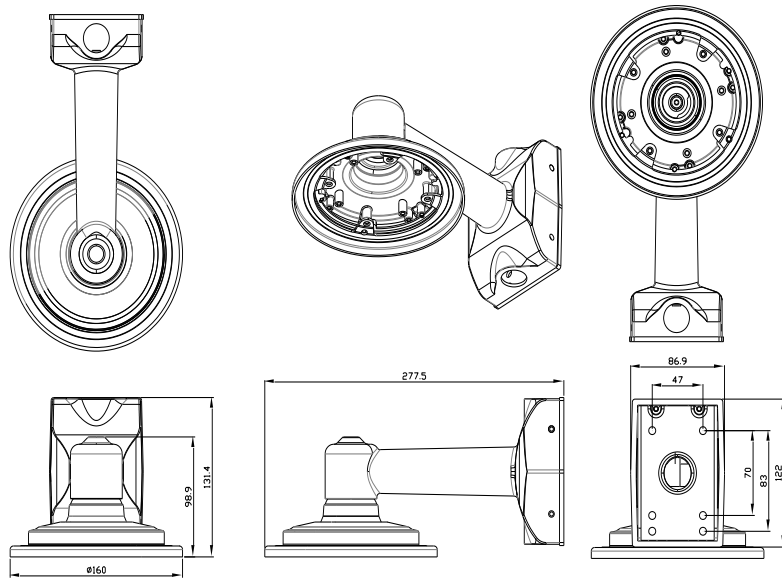


VIDEO CONTENT ANALYSIS (Included as Standard)	
<b>High Performance</b>	Advanced tracking algorithm and low false alarm rate
<b>Easy to Use</b>	Intuitive web browser interface
<b>Detection Zones and Rules</b>	Up to 40 zones (multi-segment polygons and lines) 60 VCA filter rules in total
<b>On-screen Display</b>	Real-time display of tracking data and events via activeX plug-in in IE browser
<b>Burnt in Annotation</b>	Allows the VCA annotation to be burnt into the raw video stream for displaying on third party application
<b>Tamper Detection</b>	Recognize camera tampering via VCA detection (defocusing, lens covering, camera moving)
VIDEO CONTENT ANALYSIS (Option extension License)	
<b>Available License</b>	VCAdetectIP, VCAcountIP, VCAsurveillanceIP, VCAadvancedIP, VCAprofessionalIP
<b>VCA Detection Filters</b>	<b>Object:</b> Enter, Exit, Appear, Disappear, Stop, Direction, Dwell, Speed, Unauthorized Access, Counting Line, Color Filter, Object Classification  <ul style="list-style-type: none"> <li>- Up to 20 Onscreen Counter Displays</li> <li>- Counting-Line for accuracy people and vehicle counting with local database and reporting service</li> <li>- VCA calibration via 3D tools for right object size detection</li> <li>- Several definable object class to include into the</li> <li>- detection rules for the VCA alarm</li> <li>- 10 colors in total to distinguish objects by color</li> <li>- People tracking mode to tracks individuals separately among overlapped multiple people</li> <li>- Heatmap Report shows relative crowd density of the 24 hour period (criterion: midnight)</li> </ul>
<b>VCA Features</b>	
<b>Logical Rules</b>	Extension of alarm rules using logical operators (AND, OR..) for the VCA detection filters of created zones / lines
<b>Info VCA</b>	Details regarding supported VCA filters and features of the different extension licenses find on <a href="#">RIVA Product Overview</a> document

## Accessories

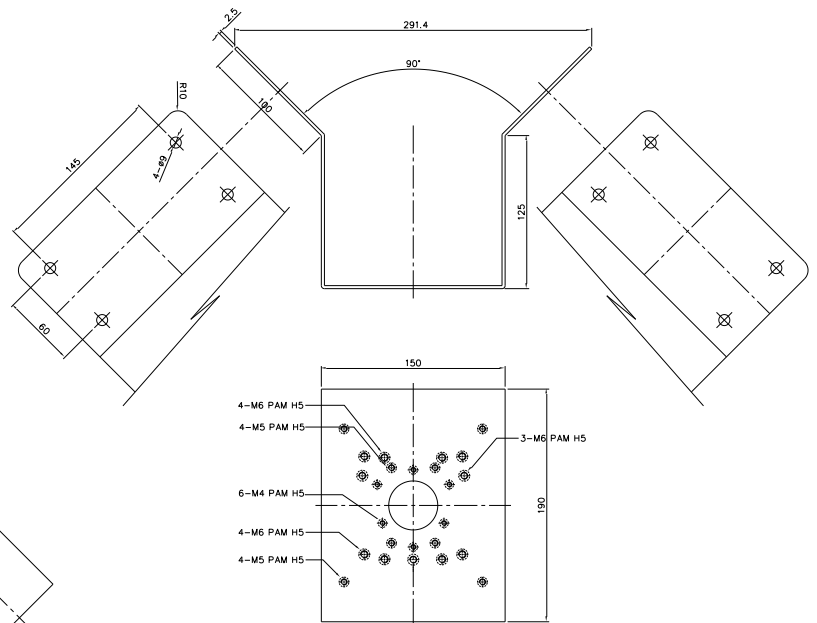
### Wall Mount Bracket

Model: WMB-3000  
Weight: 1Kg (2.2lbs)



### Pole Mount Adaptor

Model: PMA-U100  
Weight: 2,28Kg (2.8lbs)



### Corner Mount Adaptor

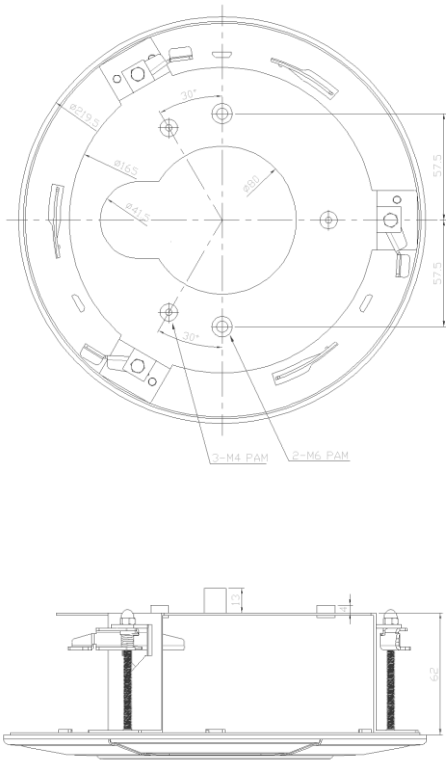
Model: CMA-U100  
Weight: 946g (2.1lbs)

To mount wall bracket WMB-3000 on pole or corner the adaptor PMA-3000 or CMA-3000 can use alternative.

## Accessories

### Flush Mount Adaptor

Model: FMB-3102  
Weight: 400g (0.9lbs)



### Ceiling Mount Bracket

Model: CMB-3000  
Weight: 1.1Kg (2.4lbs)

